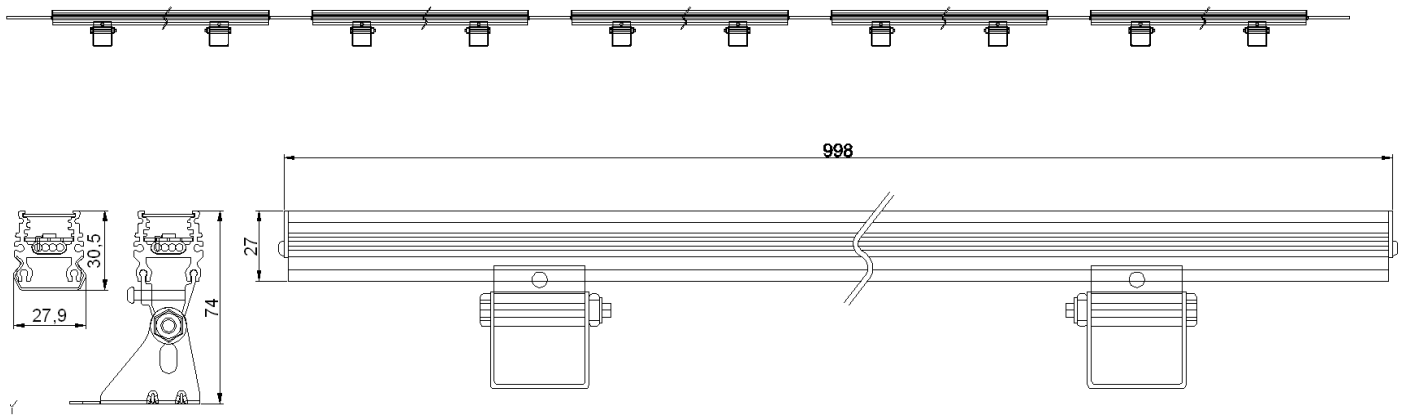


LH-NB24-10F(각도)



The Technical Specifications of LED bar (LH-NB24-10F)

Descriptions	Specifications	Remarks
1. Driving Current	1A	
2. Power Consumption	24 W	at 24V
3. Operating Voltage	19 ~ 25 VDC	
4. Recommended Voltage	24 VDC	
5. Channels per Meter	1 Channel	
6. Protocol	DMX512 RGB	
7. Operating Temperature	-20°C ~ +60°C	
8. Viewing Angle	30/60 degree	
9. Power input line length	500mm	
10. Outline Size	1000mm x 27mm x 27m	Include Clip(30.5mm), Include Angle bracket(74mm)
11. Weight	About 800g	
12. Available length	1000mm	